

# Foxfab Transfer Switches

## FFTS-M2F Series



The FFTS-M2F Series Fused Manual Transfer Switches allow safe selection between two sources of power (ex. utility or generator). These units come equipped with pilot light indication for quick viewing of the supply selection. Assemblies are available with up to 1200A mains and are ETL-certified.

### Standard Features/Specifications

- Weatherproof Type 3R Enclosure
- Steel Construction with ANSI 61 Grey Powder Coat Finish
- Wall-Mount or Free-Standing Design
- Hinged Single Door with Gaskets and Pad-Lockable Handle
- Fused Manual Transfer Switch (3 pole or 4 pole)
- Pilot Light Indication showing Normal/Emergency supply selection
- Pad-Lockable Operating Handle
- Mechanical Line and Load Lugs
- Three Phase - 120/208/480/600VAC
- ETL Certified Assembly

### Options

- Phase Reversal Protection
- Type 1, 4, or 4X Enclosure
- Aluminum or Stainless Steel Construction
- Custom Powder Coat Finishes
- Auxiliary Contacts
- Camlock Receptacles for Generator Connections
- Single Phase, 120/240VAC

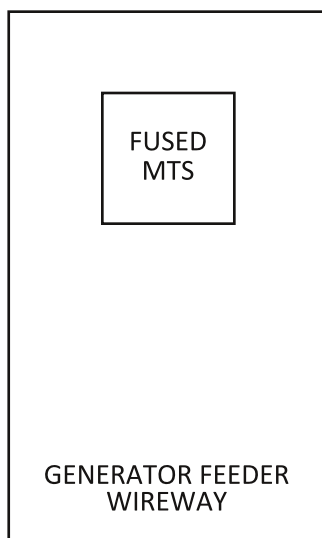
Rev 0.1

# Foxfab Transfer Switches

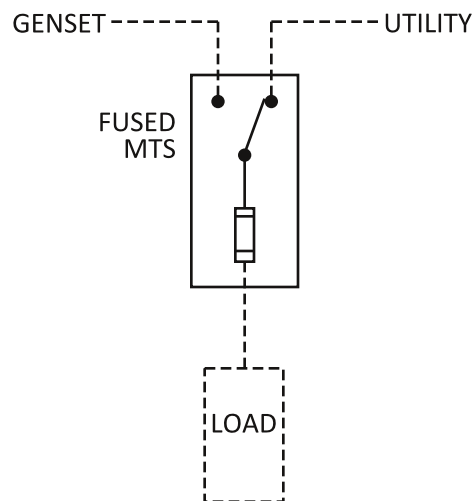
## FFTS-M2F Series



### Panel Layouts



### One-Line Diagram



### Typical Configurations

PART NO.	PHASE	AMP	VOLTAGE	H (")	W (")	D (")
FFTS-M2F-1P0100A	1	100	120/240	30	24	15
FFTS-M2F-1P0200A	1	200	120/240	36	24	15
FFTS-M2F-1P0400A	1	400	120/240	60	36	20
FFTS-M2F-1P0600A	1	600	120/240	60	36	24
FFTS-M2F-1P0800A	1	800	120/240	72	36	28
FFTS-M2F-1P1200A	1	1200	120/240	90	36	24
FFTS-M2F-3P0100A	3	100	120/208/480/600	30	24	15
FFTS-M2F-3P0200A	3	200	120/208/480/600	36	24	15
FFTS-M2F-3P0400A	3	400	120/208/480/600	60	36	20
FFTS-M2F-3P0600A	3	600	120/208/480/600	60	36	24
FFTS-M2F-3P0800A	3	800	120/208/480/600	72	36	28
FFTS-M2F-3P1200A	3	1200	120/208/480/600	90	36	24