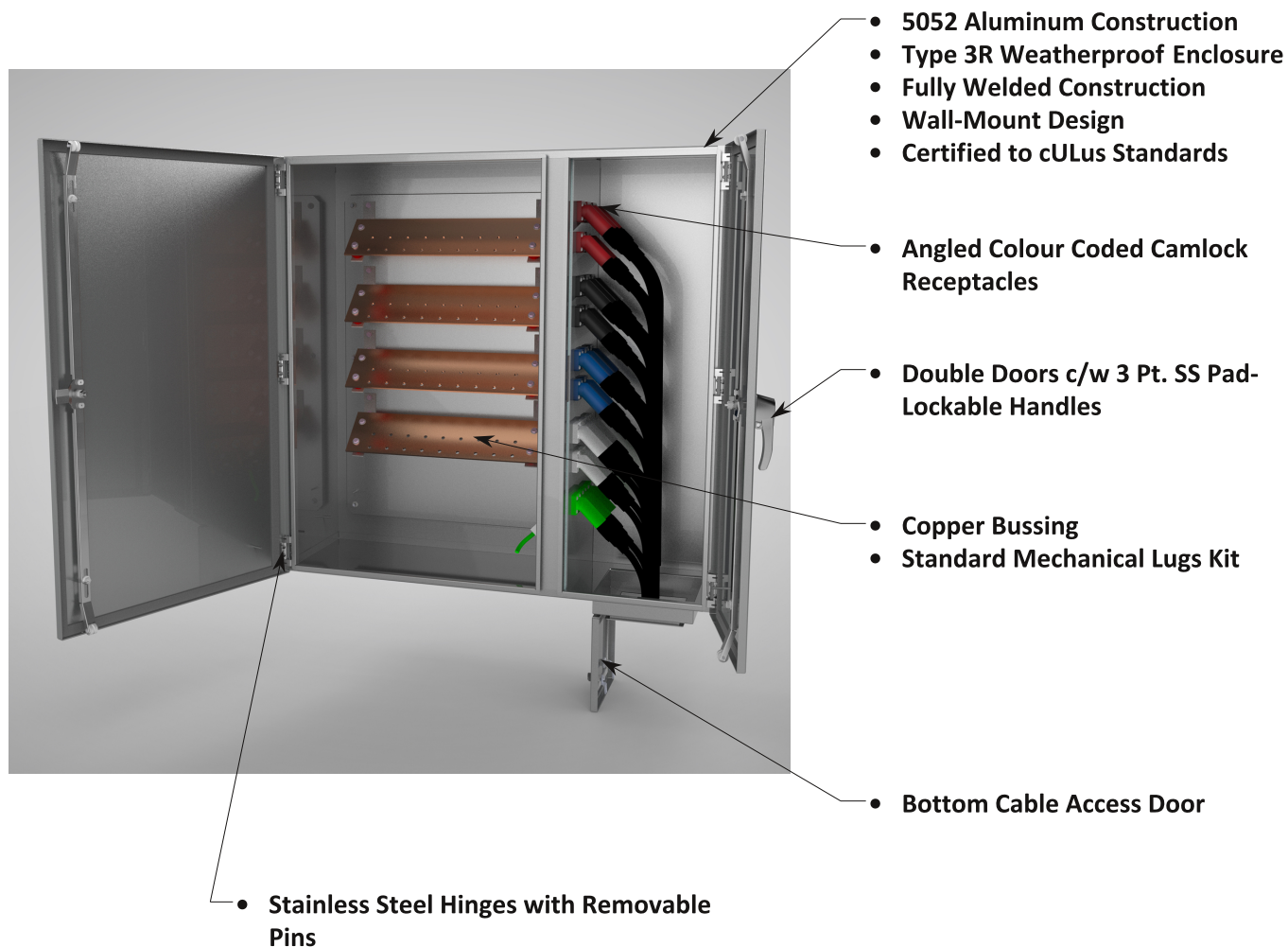




The FFCC-B1 Series Connection Cabinets offer quick connection to a mobile generator allowing temporary power to be received quickly and safely. They can be penetrated from the side or bottom to allow for facility wiring. These units are equipped with colour coded Camlock receptacles allowing for easy connection. Assemblies are available up to 3200A mains and are certified to cULus standards.



### Max Ratings

- 3200A
- 600VAC

### Dimensions

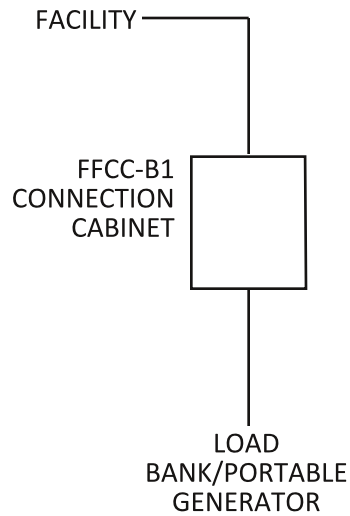
- 48"T x 50"W x 16"D

# Foxfab Generator Connection Cabinets

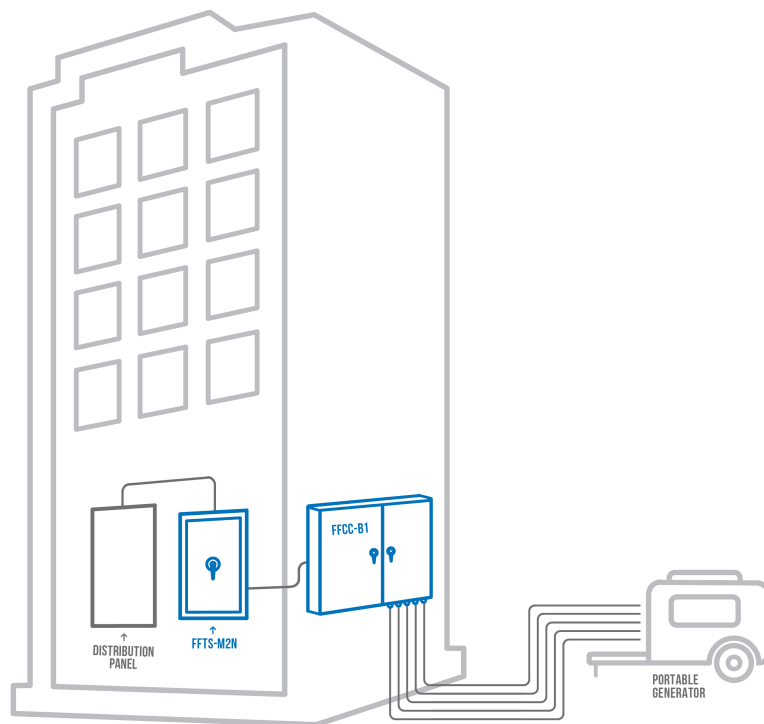
## FFCC-B1 Series



### One-Line Diagram



### Application Diagram



Rev 0.1

## FFCC-B1 Series



### Product Selector

